

CRYSTORAMA

LIGHTING THE WAY FOR SIXTY YEARS

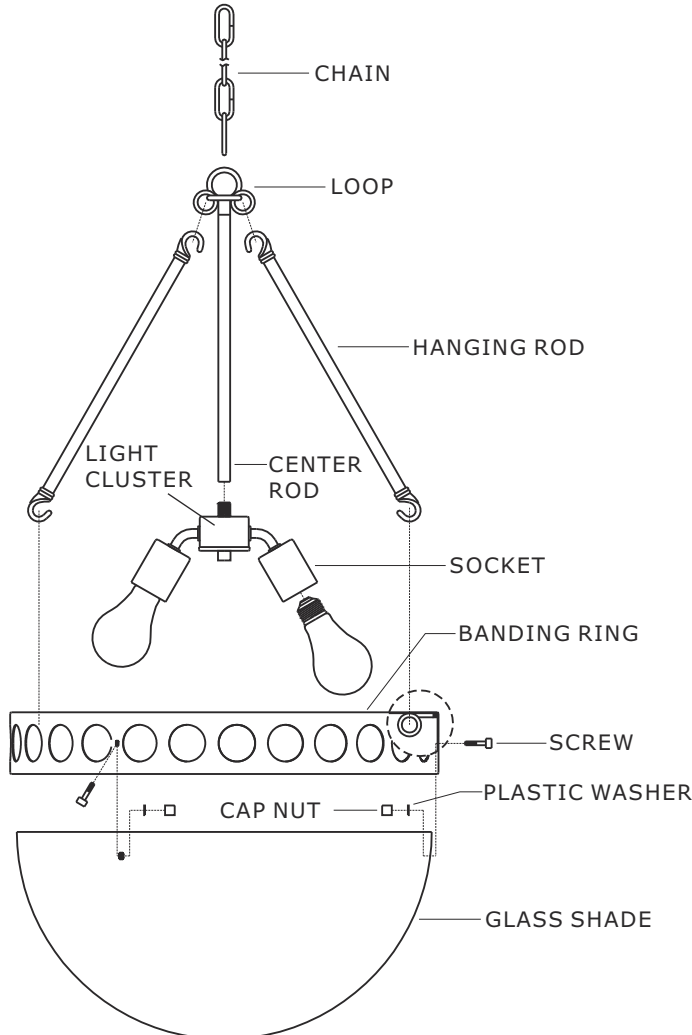
ASSEMBLY INSTRUCTION MODEL#KIR-B8105-BF



All electrical components must be installed by a licensed electrician in accordance with the National Electric Code and the appropriate local electrical codes.

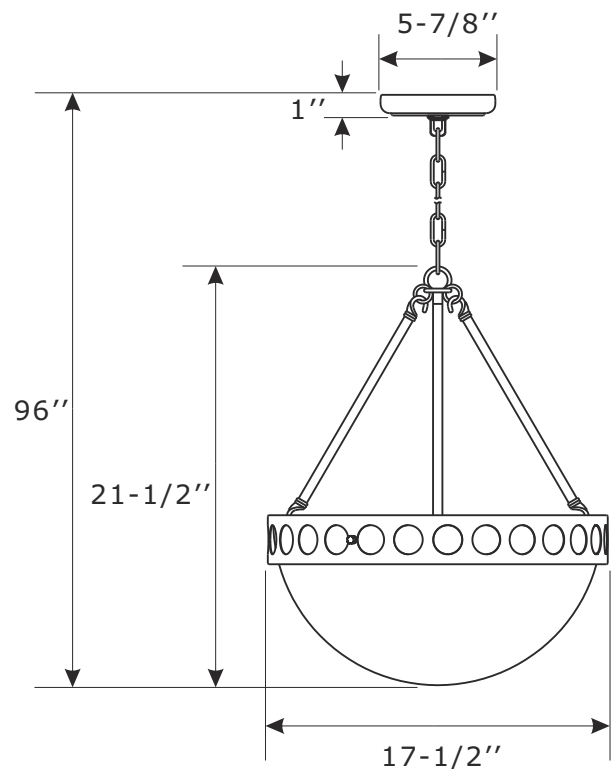
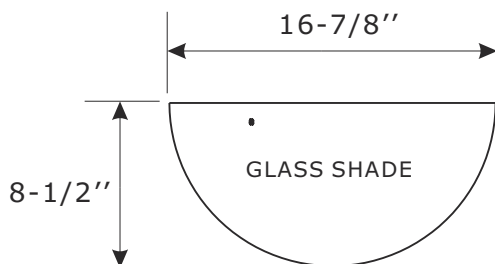


You will need 3-Medium Base Bulb
60 Watts Recommended 100 Watts Max.
USE LED BULBS FOR EXTENDED USE
This fixture is Damp rated



How to install

1. Put the banding ring over the glass shade and line up the holes on the banding ring with holes on the glass shade. Insert the screws into the holes and secure each screw with a plastic washer and cap nut.
2. Slip the center rod assembly along wire and thread onto the nipple located on the top of the light cluster.
3. Connect one end of hanging rod to the loop inside the banding ring, the second end of it to the loop.
4. Install the bulb(not included) into the socket.



WARNING: This product can expose you to Lead which is known to the state of California to cause cancer and/or birth defects or reproductive harm. For more information go to www.P65Warnings.ca.gov

CRYSTORAMA

LIGHTING THE WAY FOR SIXTY YEARS

PART NUMBER MODEL#KIR-B8105-BF

Part Number

Part Numbers

- A. (1)-Mounting hardware
- B. (1)-Canopy W5-7/8"xH1"x1/8" #XRF8103BFCAN5.875IN
- C. (1)-Collar ring
- D. (1)-Collar loop
- E. (1)-Chain -L72", 4mm thick #XRF8105BFCHA4MM
- F. (1)-Center rod assembly #XRF8105BFCSTEM
- G. (3)-Hanging rod W1/2"xL10-7/8" #XRF8105BFHROD
- H. (1)-Banding ring
- I. (3)-Screw
- J. (3)-Plastic washer
- K. (3)-Cap nut #XRF8103BFCAPNUT
- L. (1)-Glass shade W16-7/8"xH8-1/2" #XRF8105GLA16.875IN

