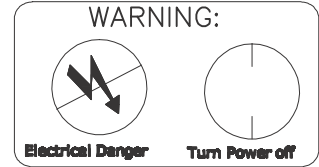
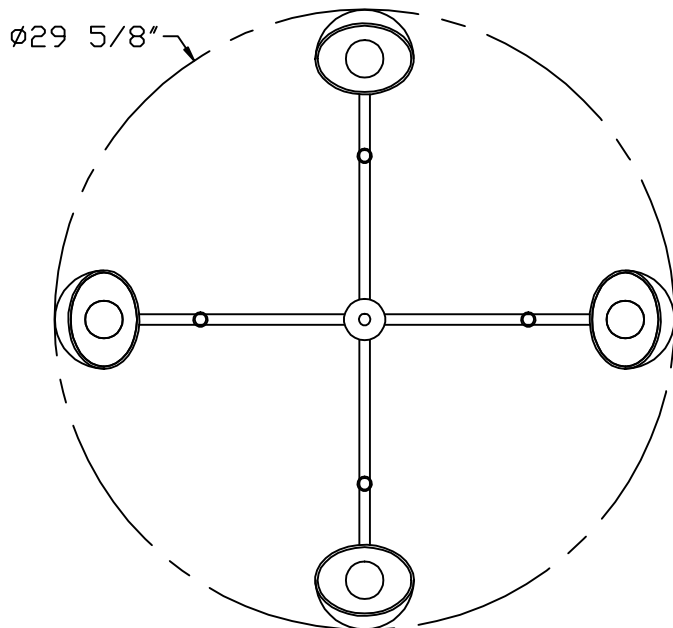
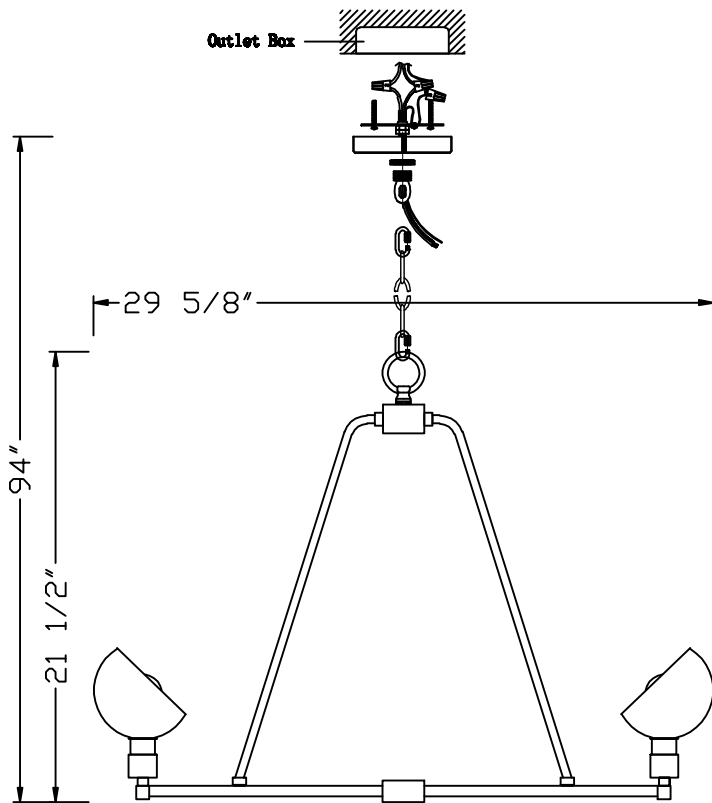


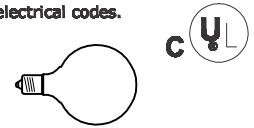
# CRYSTORAMA

LIGHTING THE WAY FOR SIXTY YEARS

ASSEMBLY INSTRUCTION MODEL# GIG-814-BK-AG



All electrical components must be installed by a licensed electrician in accordance with the National Electric Code and the appropriate local electrical codes.



You will need 4- Cand. Base Bulb  
40 Watts Recommended 60 Watts Max.  
USE LED BULBS FOR EXTENDED USE  
THE FIXTURE IS DAMP RATED

## How to install

1. Insert the end of each rod onto the studs on the distributor box. Secure each rod in place using a screw and the provided wrench.
2. Insert the other end of each rod onto the studs on the arm and secure in place using a screw and the provided wrench.
3. Install the mounting bar to the outlet box using two outlet box screws.
4. Decide the desired hanging height and cut the chain to the proper length.
5. Install the canopy onto the mounting bar and secure with the screw collar loop ring.
6. Place the metal shade over the socket and secure with the socket ring.

**WARNING:** This product can expose you to Lead which is known to the state of California to cause cancer and/or birth defects or reproductive harm. For more information go to [www.P66Warnings.ca.gov](http://www.P66Warnings.ca.gov)

