

CRYSTORAMA

LIGHTING THE WAY FOR SIXTY YEARS

ASSEMBLY INSTRUCTION MODEL #FOS-A8050-CH

WARNING:

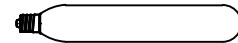


Electrical Danger



Turn Power Off

All electrical components must be installed by a licensed electrician in accordance with the National Electric Code and the appropriate local electrical codes.

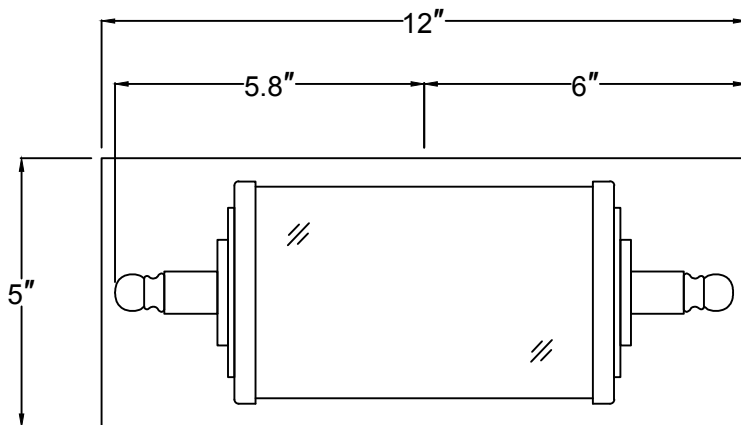


You will need 1-3W 300 Lumens
2700k T10-LED Dimmable, E26 Medium Base
Bulb Included
USE LED BULBS FOR EXTENDED USE
This fixture is Damp Rated

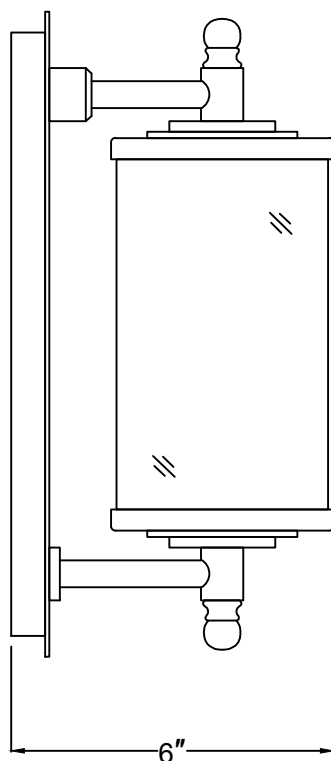
How to Install

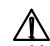
1. Locate the fixture arm that has the cylinder nut.
2. With the enclosed wrench, remove the set screw within the cylinder nut.
3. On the same arm, unscrew the top finial and slowly remove the arm, lid and glass shade.
4. Install the recommended bulb and follow steps 1-3 in reverse, to assemble the shade and arm.
5. This fixture can now be connected and mounted horizontally or vertically.

Horizontally



Vertically



 WARNING: This product can expose you to Lead, which is known to the State of California to cause cancer and/or birth defects or reproductive harm. For more information go to www.P65Warnings.ca.gov

CRYSTORAMA

LIGHTING THE WAY FOR SIXTY YEARS

PART NUMBER MODEL #FOS-A8050-CH

Part Number

Part Numbers

- A. Mounting Hardware
 - (1) Mounting Plate
 - (4) Outlet Box Screws
 - (4) Anchors
- B. (1) Backplate; 4.2"x11.2"x0.63"h;
XMO8050CHBKP11.2IN
- C. (1) Set screw
- D. (1) Socket
- E. (1) Glass shade; $\phi 3.9$ "x7"h;
XMO8050GLA7IN
- F. (2) Lid;
XMO8050CHMECOVER
- G. (2) Arm
- H. (2) Finial; XMO8050CHBANUT
- I. (1) Cylinder Nut

