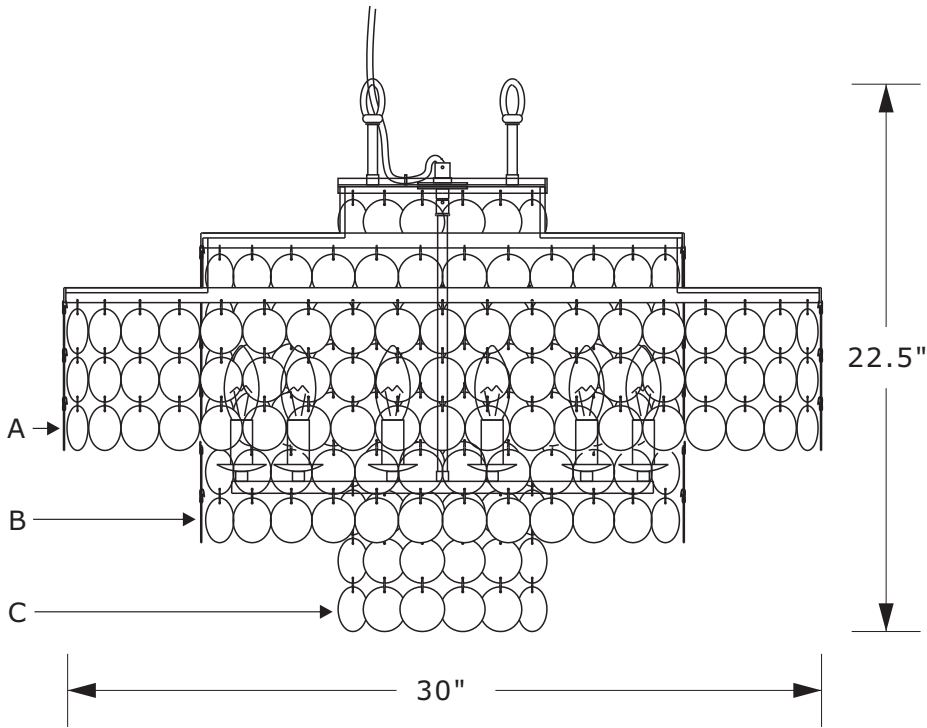


# CRYSTORAMA

LIGHTING THE WAY FOR SIXTY YEARS

## ASSEMBLY INSTRUCTION MODEL #BRI-3009-SA



All electrical components must be installed by a licensed electrician in accordance with the National Electric Code and the appropriate local electrical codes.

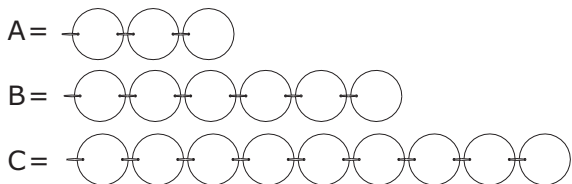
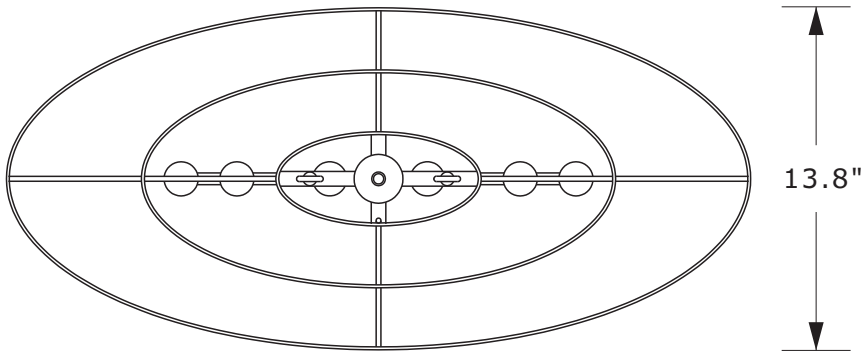


You will need 6 -Candelabra Base Bulb  
40 Watts Recommended 60 Watts Max.

USE LED BULBS FOR EXTENDED USE

### How to Install

1. Do a complete inventory of all parts and components before you start installation.
2. Attach the center stem onto the light cluster.
3. Attach the top of the center stem onto the swivel.
4. Attach each of the hanging stems onto the top of the fixture frame.
5. Determine the preferred hanging height and adjust chain as needed.
6. Place the candle sleeve onto the socket, and insert recommended bulb (not included).
7. Dress the fixture with capiz shells "A" "B" and "C" as illustrated.



- 5 SPARE 2 HOLE CAPIZ SHELLS
- 2 SPARE 1 HOLE CAPIZ SHELLS

### Capiz Shell Sets

- A. 40 Sets. (3)45mm
- B. 28 Sets. (6)45mm
- C. 12 Sets. (9)45mm

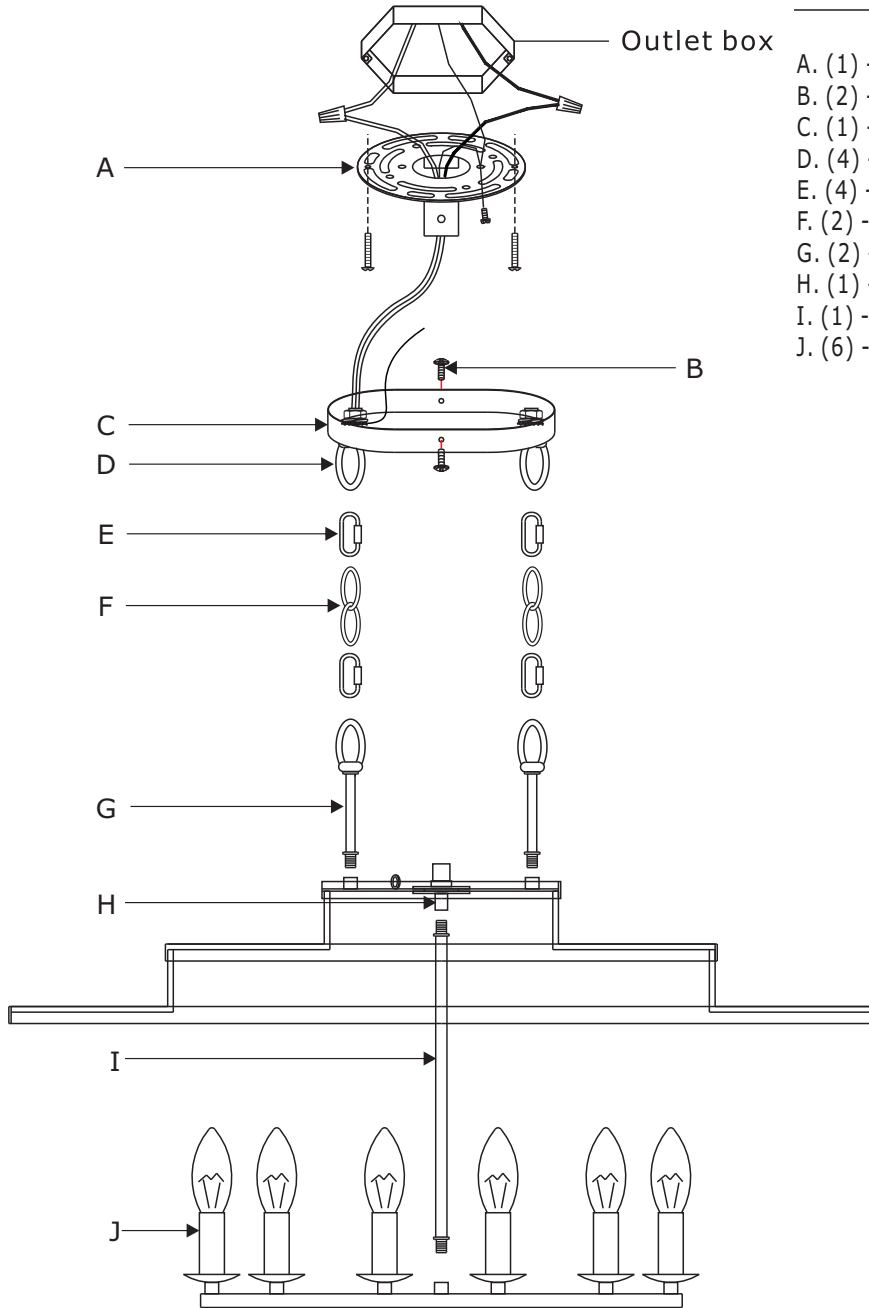
**WARNING:** This product can expose you to Lead, which is known to the State of California to cause cancer and/or birth defects or reproductive harm. For more information go to [www.P65Warnings.ca.gov](http://www.P65Warnings.ca.gov).

# CRYSTORAMA

LIGHTING THE WAY FOR SIXTY YEARS

PART NUMBER MODEL #BRI-3009-SA

## Part Number



- A. (1) - Mounting Hardware
- B. (2) - Side Screw
- C. (1) - Canopy(L8",W4.6", H1") #XRE3009SACAN8IN
- D. (4) - Fixture Loop
- E. (4) - Quick Link
- F. (2) - Hanging Chain(each72",4.0mm) #XRE3006SACHA4MM
- G. (2) - Hanging Stem(2.76",9.5mm) #XRE3009SASTEM2.76IN
- H. (1) - Swivel
- I. (1) - Center Stem(8.78",9.5mm)
- J. (6) - Candle Sleeve(W0.87",H2.36") #XRE3009SACDL2.36IN