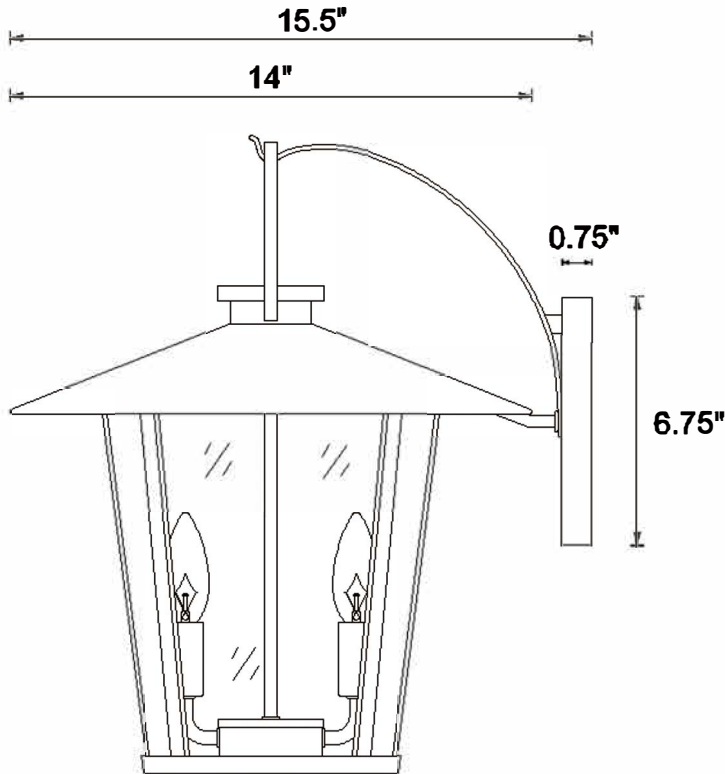




ASSEMBLY INSTRUCTION MODEL #AND-9202-CL-MK



All electrical components must be installed by a licensed electrician in accordance with the National Electric Code and the appropriate local electrical codes.



You will need 4 - Candelabra Bulb
40 Watts Recommended 60 Watts Max.
(Bulb not included)
USE LED BULBS FOR EXTENDED USE
THIS FIXTURE IS WET RATED

How to Install

1. To install the glass shade, separate the Bottom Cage by removing the Nut.
2. Insert the Glass Shade into the Bottom Cage.
3. Install the bulb into the socket.
4. Attach the Bottom Cage to the Top Cage by screwing a Nut securing the two together.
5. Attach the Backplate along with the fixture to the wall.

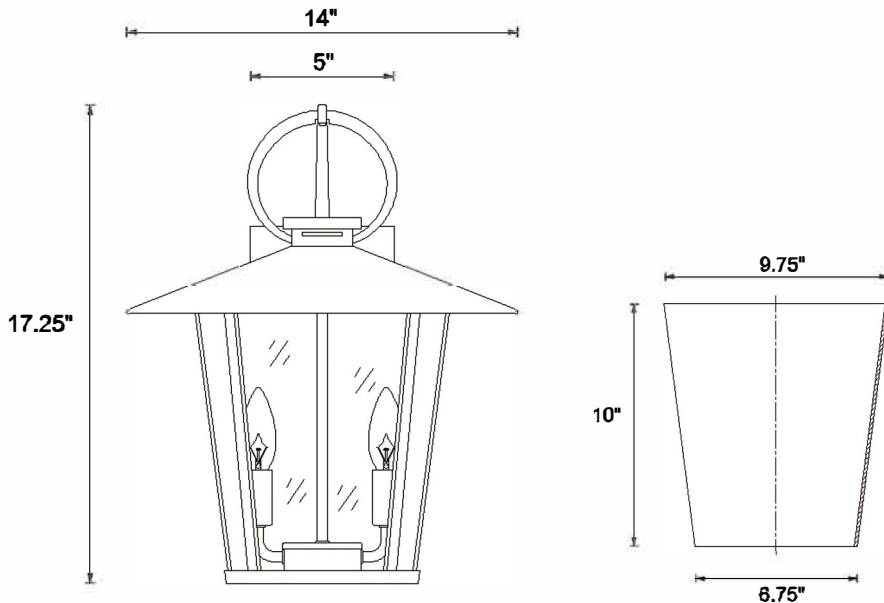
Glass Replacement:

Follow instruction steps #1-4, in reverse, skipping step #3.

Bulb Replacement (Bulb not included):

Follow instruction steps #1-4 in reverse.

After securing the fixture to the wall, it is recommended that the top and side gaps, between the wall and the backplate, be sealed with a good quality waterproof caulk or silicone sealant (NOT INCLUDED).



WARNING: This product can expose you to Lead, which is known to the State of California to cause cancer and/or birth defects or reproductive harm. For more information go to www.P65Warnings.ca.gov.



ASSEMBLY INSTRUCTION MODEL #AND-9202-CL-MK

Part Number

Part Numbers

- A. (1)-Mounting hardware
- B. (1)-Backplate; W5.25" x H6.75" x D0.5"; XHX9202MKBKP6.75IN
- C. (1)-Arm
- D. (1)-Loop
- E. (2)-Ball Nut; XHX9201MKBANUT
- F. (1)-Top Cage
- G. (1)-Socket
- H. (1)-Glass Shade; W9.75" x H10"; XHX9202GLA10IN
- I. (4)-Nut; XHX9201MKNUT
- J. (1)-Bottom Cage

