

CRYSTORAMA LIGHTING



Crystorama.com

ASSEMBLY INSTRUCTION MODEL# 9507-SN_CEILING

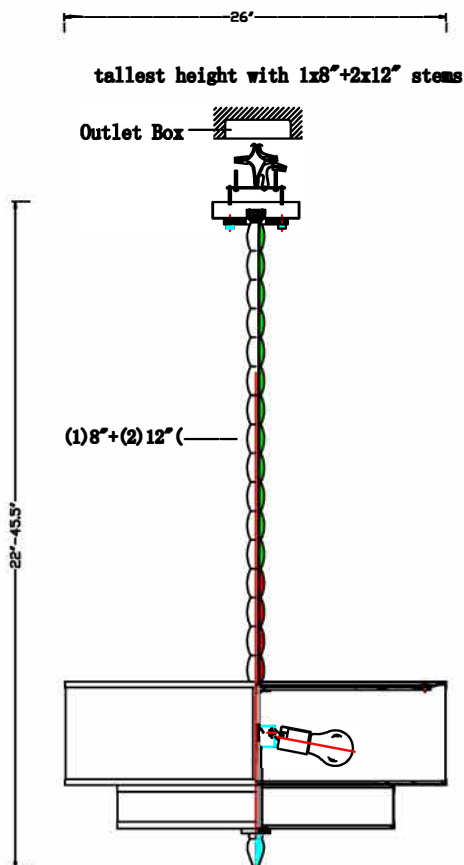
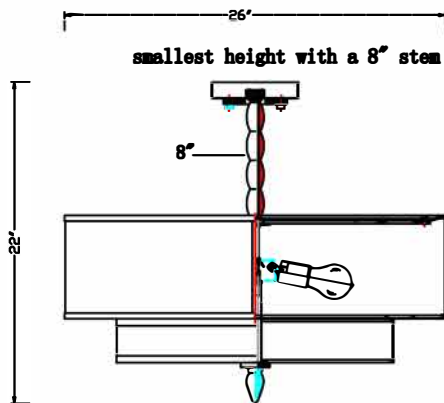


All electrical components must be installed by a licensed electrician in accordance with the National Electric Code and the appropriate local electrical codes.



You will need 5- Med. Bulb
60 Watts Recommended .

USE LED BULBS FOR EXTENDED USE
THE FIXTURE IS DRY RATED



How to install

1. Select the correct number of hang rods A and B, depending on the desired hanging height. Pass the wire through the rods and screw them together.
2. Slide the poly plate, swivel ball and canopy over the rod assembly. Screw one end of the rod assembly onto the fixture frame and the other end onto the swivel ball.
3. Screw the threaded pipe onto the bottom of the fixture frame. Place the pipe cover and end cap over the threaded nipple and secure with the nut.
4. Install the mounting plate onto the outlet box. Raise the fixture up to the ceiling and do the wire connection. Raise the poly plate and canopy up along the rod and secure with ball nuts. Please make sure the nipple on the center hole of canopy leans against the slot on the swivel ball.
5. Install the bulb(not included) into the socket .
6. Place bottom shade and poly disc over the threaded pipe and secure with the finial. Please make sure that the spokes on the bottom shade line up with the ones on the top shade when tightening the finial.



Part Number

- A. (1)-Swivel Ball
- B. (1)-Canopy W6"xH0.8"(XNO9507SNCAN6IN)
- C. (1)-Poly Plate (XNO9507SNPLATE)
- D. (2)-Ball Nut
- E. (2)-Hang Rods A 12" (XNO9507SNROD12IN)
- F. (1)-Hang Rods B 8" (XNO9507SNROD8IN)
- G. (1)-Fixture frame
- H. (1)-Upper Shade W26"xH7"(XNO9507SNSHA26IN)
- I. (4)-BALL Nut
- J. (1)-Threaded Pipe
- K. (1)-Metal Pipe Cover
- L. (1)-Bottom Shade W19"xH3"(XNO9507SNSHA19IN)
- M. (1)-End Cap
- N. (1)-Nut
- O. (1)-Poly Disc (XNO9507SNDISC)
- P. (1)-Finial W1.14"xH2.56"(XNO9505SNFIN)
- Q. (5)- Bulb(Not Included)
- R. (2)- Machine Screws

