

CRYSTORAMA

95 Cantiague Rock Road , Westbury, NY 11590 • toll free: 1.800.888.4470 fax: 516.931 .1254 • info@crystorama.com • www.crystorama.com

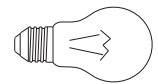
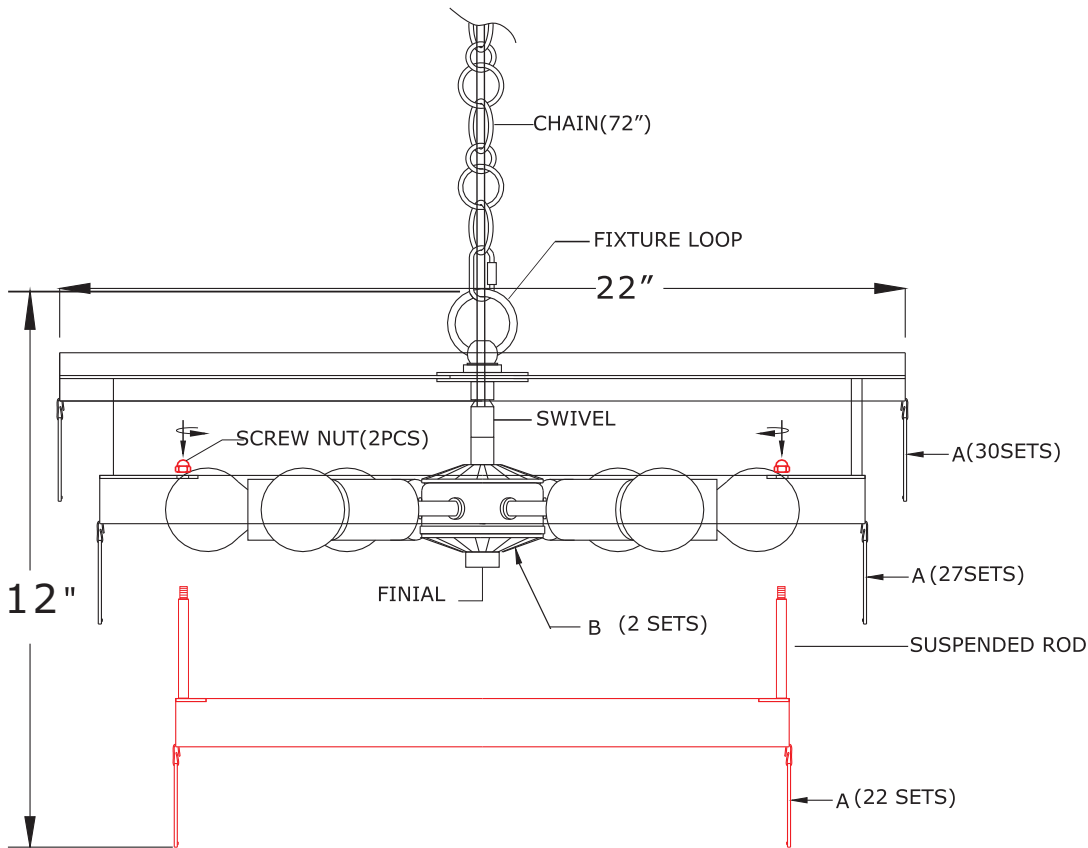
MODEL# :6006-SA ASSEMBLY AND DRESSING INSTRUCTIONS



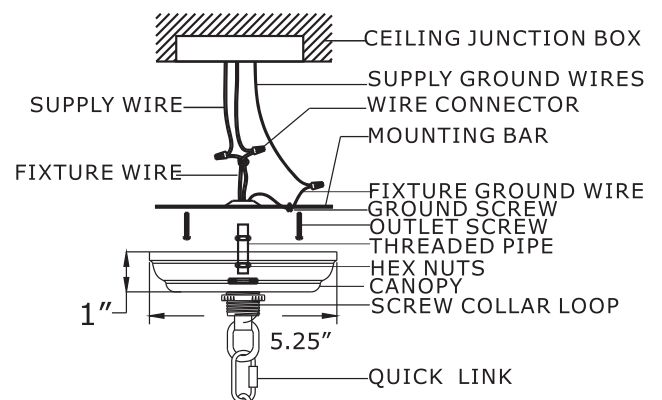
Electrical Danger Turn Power off


⚠ WARNING: This product can expose you to Lead, which is known to the State of California to cause cancer and/or birth defects or reproductive harm. For more information go to www.P65Warnings.ca.gov

All electrical components must be installed by a licensed electrician in accordance with the National Electric Code and the appropriate local electrical codes



You will need 6 Medium bulbs. 40 Watts recommended 60 Watts max. Bulb not included.



A =  (CAPIZ SHELL 2") x 79 SETS (+) (4 SPARES)

B =  (CRYSTAL DISH 3") x 2 SETS