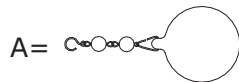
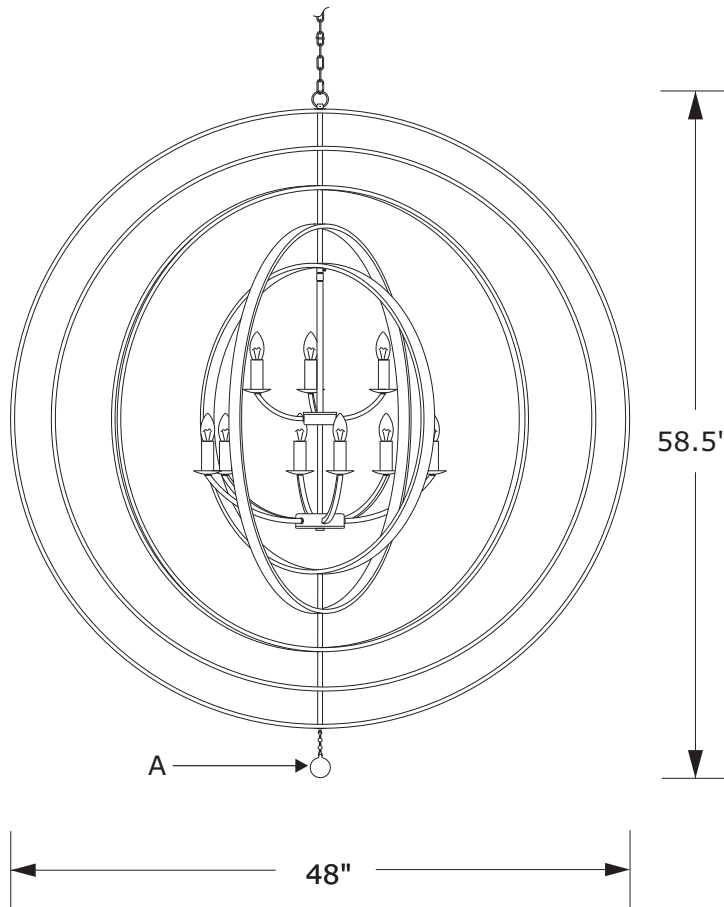


# CRYSTORAMA

LIGHTING THE WAY FOR SIXTY YEARS

## ASSEMBLY INSTRUCTION MODEL #587-MK



All electrical components must be installed by a licensed electrician in accordance with the National Electric Code and the appropriate local electrical codes.



You will need 9 - Candelabra Base Bulb  
40 Watts Recommended 60 Watts Max.  
USE LED BULBS FOR EXTENDED USE  
THIS FIXTURE IS DAMP RATED

### How to Install

1. Attach the center stem on to the wiring house.
2. Attach the top of the center stem onto the swivel.
3. Place the candle sleeve onto the socket and insert recommended bulb(not included).
4. Dress the crystal A onto the bottom of fixture.
5. Adjust the flat metal rings to the preferred angle.

### Crystal Sets

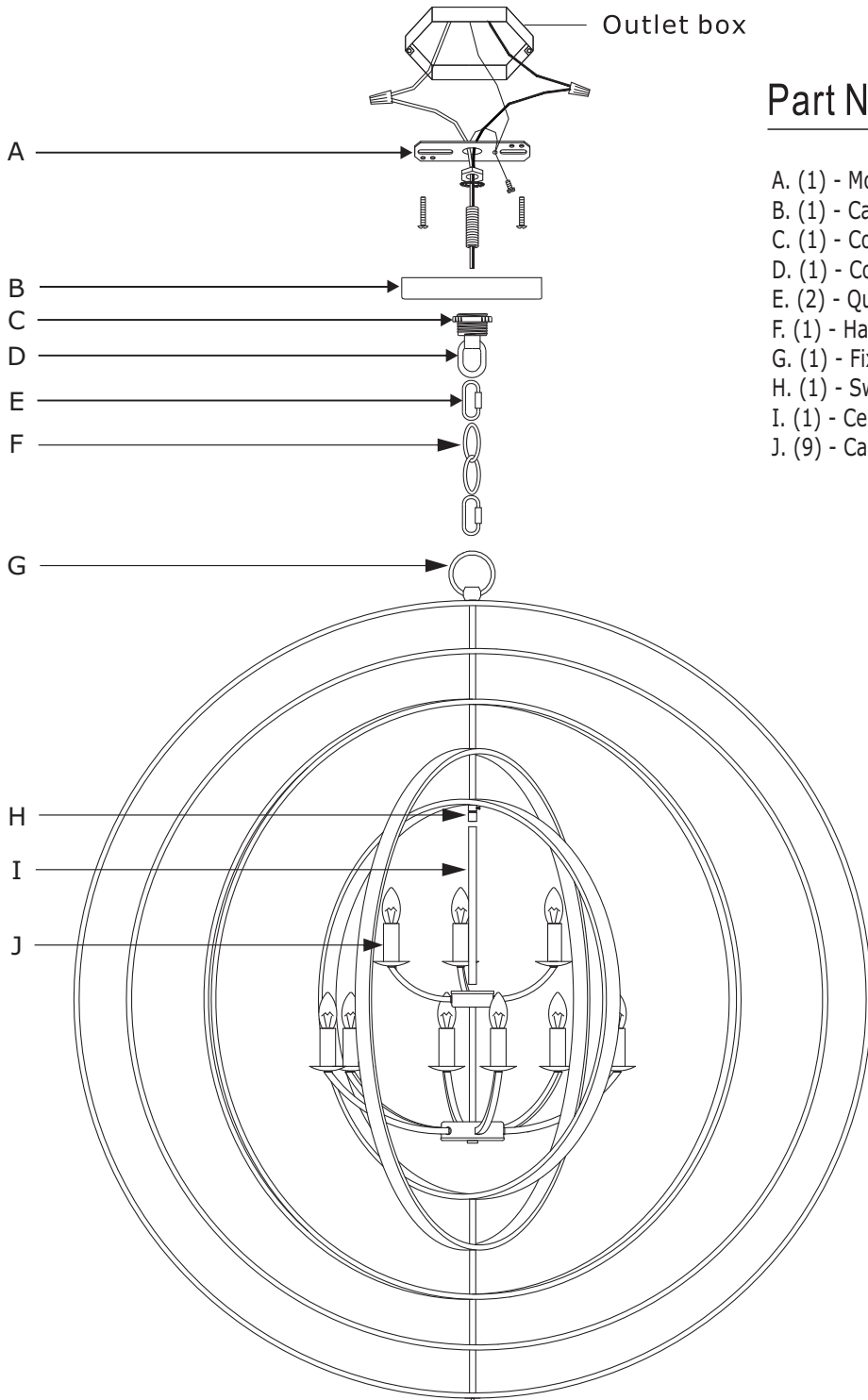
- A.1 Set.  
(2)14mm + (1)80mm Crystal Ball

**WARNING:** This product can expose you to Lead, which is known to the State of California to cause cancer and/or birth defects or reproductive harm. For more information go to [www.P65Warnings.ca.gov](http://www.P65Warnings.ca.gov).

# CRYSTORAMA

LIGHTING THE WAY FOR SIXTY YEARS

PART NUMBER MODEL #587-MK



## Part Number

- A. (1) - Mounting Hardware
- B. (1) - Canopy(W6",H1") #XRE587MKCAN6IN
- C. (1) - Collar Ring
- D. (1) - Collar Loop
- E. (2) - Quick Link
- F. (1) - Hanging Chain(72",4mm) #XRE584MKCHA4MM
- G. (1) - Fixture Loop
- H. (1) - Swivel
- I. (1) - Center Stem(15.35",15.3mm) #XRE587MKSTEM
- J. (9) - Candle Sleeve(W0.87",H2.76") #XRE584MKCDL2.76IN