

CRYSTORAMA



95 Cantiague Rock Road, Westbury, NY 11590 • toll free: 1.800.888.4470 fax: 516.931.1254 • info@crystorama.com • www.crystorama.com

MODEL#: 5111-VB ASSEMBLY AND DRESSING INSTRUCTIONS

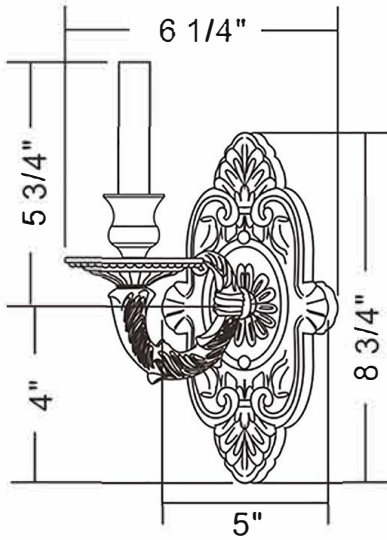
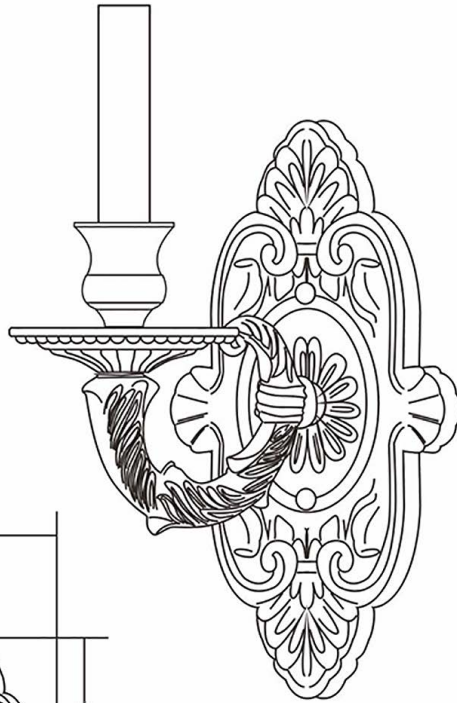


WARNING: This product can expose you to Lead, which is known to the State of California to cause cancer and/or birth defects or reproductive harm. For more information go to www.P65Warnings.ca.gov

All electrical components must be installed by a licensed electrician in accordance with the National Electric Code and the appropriate local electrical codes.



You will need 1 Candelabra bulbs 60 Watts recommended, Use LED bulbs for Extended use. Bulb not included.



HOW TO INSTALL:

1. Have **screw A** thread the top & bottom holes of the Crossbar, and fixed the with Nuts.
2. Install the Crossbar to the Outlet Box of the wall.
3. Entwine the Ground Wire around the Green Grounding Screw. Screw the Green Grounding Screw further into the Crossbar.
4. Use the Wire Connector to connect the Main Wires of the product with the Main Wires of the Outlet Box.
5. Set the assembled product to the wall, have the **Screw A** through the top and bottom holes of the Back Plate.
6. Screw the Finial Ball to the Screw.

