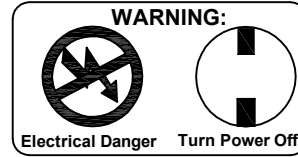


CRYSTORAMA LIGHTING



ASSEMBLY INSTRUCTION MODEL #4474-GD-CL-SAQ



All electrical components must be installed by a licensed electrician in accordance with the National Electric Code and the appropriate local electrical codes.

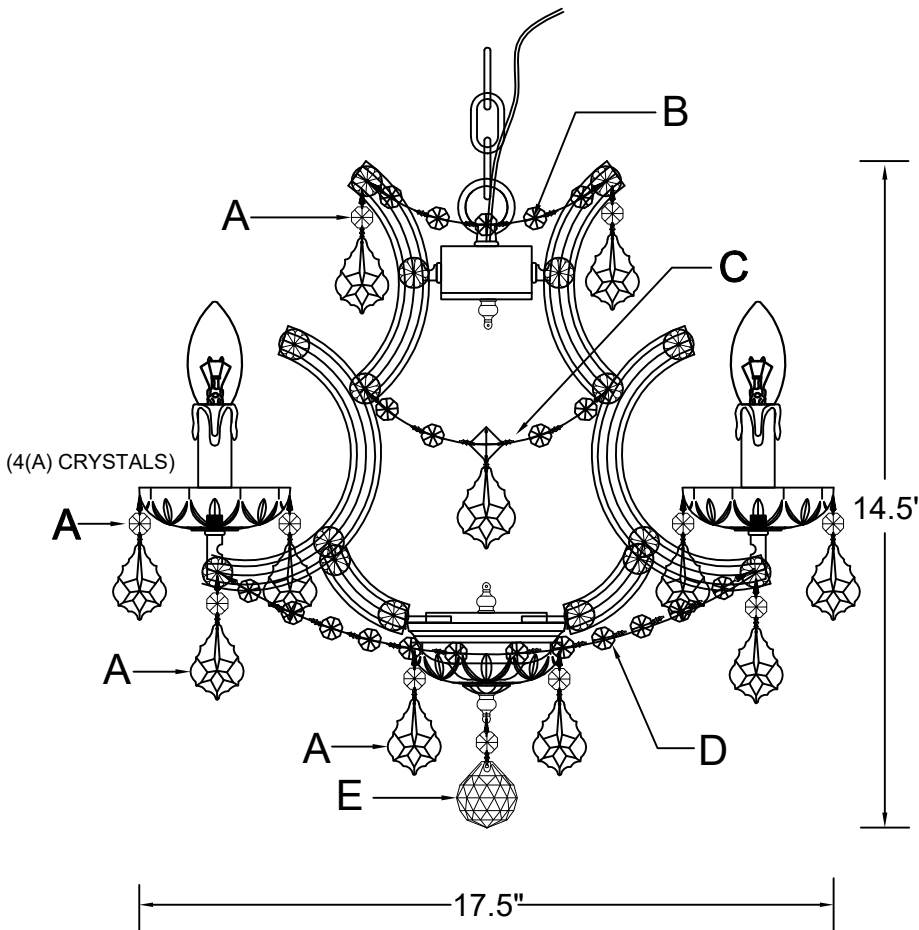


You will need 4-Candelabra Base Bulb

40 Watts Recommended 60 Watts Max

USE LED BULBS FOR EXTENDED USE

The fixture is dry rated

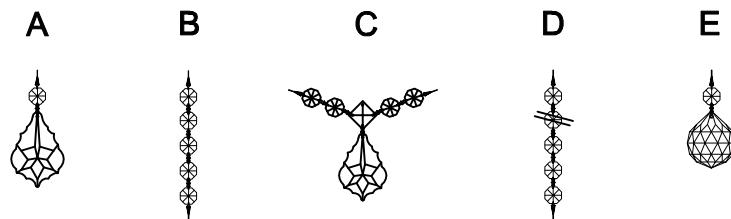


How to Install

1. Do a complete inventory of all parts and components before you start installing.
2. Place the glass dish and small metal dish over the bottom metal cover and secure with the finial.
3. After safely attaching fixture into the outlet box, install bobeches, bulbs (not included) and proceed to connecting the power.
4. When you begin to dress the fixture, start with packet labeled (A).
5. IMPORTANT: Apply crystal sets in alphabetical order.

DETAILED ILLUSTRATION

Crystal Sets



- A. 28Sets. (1)14mm + AS20-2"
- B. 4Sets. (5)14mm
- C. 4Sets. (4)14mm + (1) 14mm Square + AS20-2"
- D. 4Sets. (12)14mm
- E. 1Piece. (1)14mm + AS8-30mm Ball

WARNING: This product can expose you to Lead, which is known to the State of California to cause cancer and/or birth defects or reproductive harm. For more information go to www.P65Warnings.ca.gov

CRYSTORAMA LIGHTING



PART NUMBER MODEL #4474-GD-CL-SAQ

Part Number

Part Numbers

- A. (2)-Wire Connector
- B. (1)-Mounting Plate
- C. (2)-Outlet Box Screws
- D. (1)-Lock Washer
- E. (1)-Hex Nut
- F. (1)-Nipple
- G. (1)-Canopy; w5" x h1" (XFB4474GDCAN5IN)
- H. (1)-Collar Ring
- I. (1)-Collar Loop
- J. (1)-Chain; 72", 3.8mm (XFB4473GDCHA3.8MM)
- K. (1)-Ground Wire
- L. (1)-Frame
- M. (1)-Glass Dish; Ø4", 17mm hole, 4pin (XFB4474GDDIBOB4IN)
- N. (1)-Metal Dish
- O. (3)-Finial (XFB4473GDFIN)
- P. (4)-Candle Sleeve; h3" (XFB4471CDL3IN)
- Q. (4)-Bobèche; Ø4", 26mm hole, 4pin (XFB4471GDBOB4IN)
- R. (112)-Rosette

PART BAG I : Includes Parts A, C

PART BAG II : Includes Parts B, D, E, F, H, I

