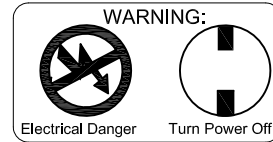


CRYSTORAMA

LIGHTING THE WAY FOR SIXTY YEARS

ASSEMBLY INSTRUCTION MODEL #4424-GD-CL-MWP



All electrical components must be installed by a licensed electrician

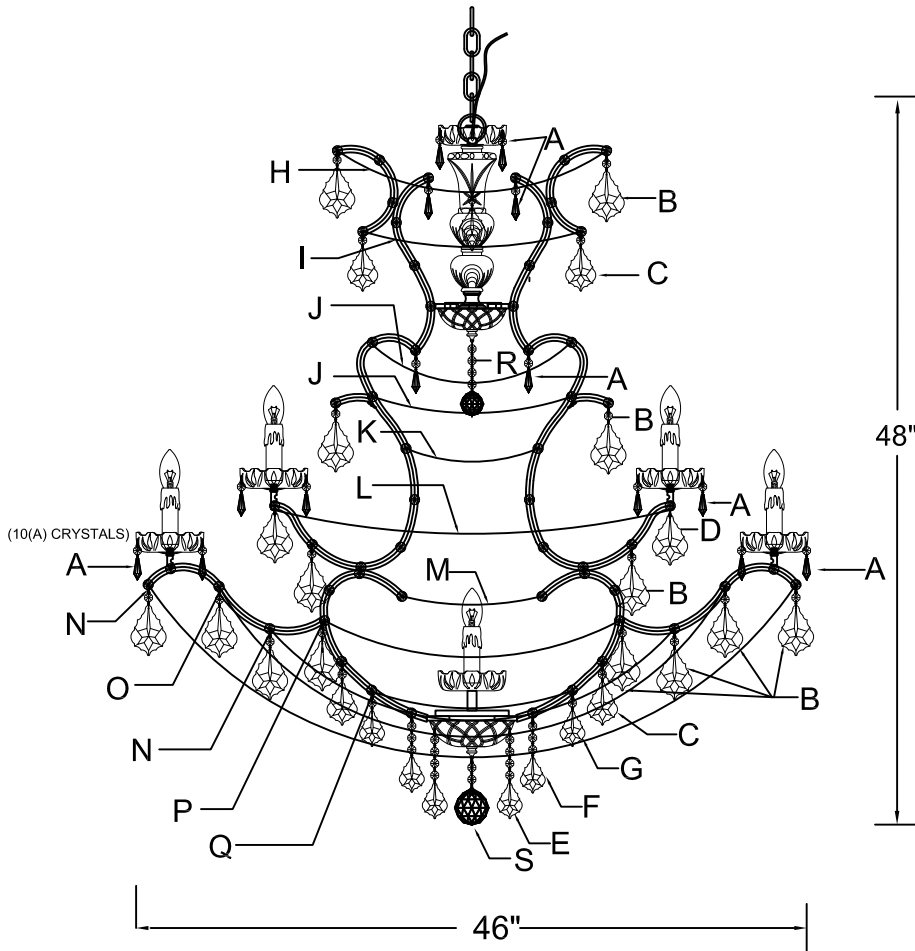
In accordance with the National Electric Code and the appropriate local electrical codes.



You will need 25-Candelabra Base Bulb

25 Watts Recommended 40 Watts Max

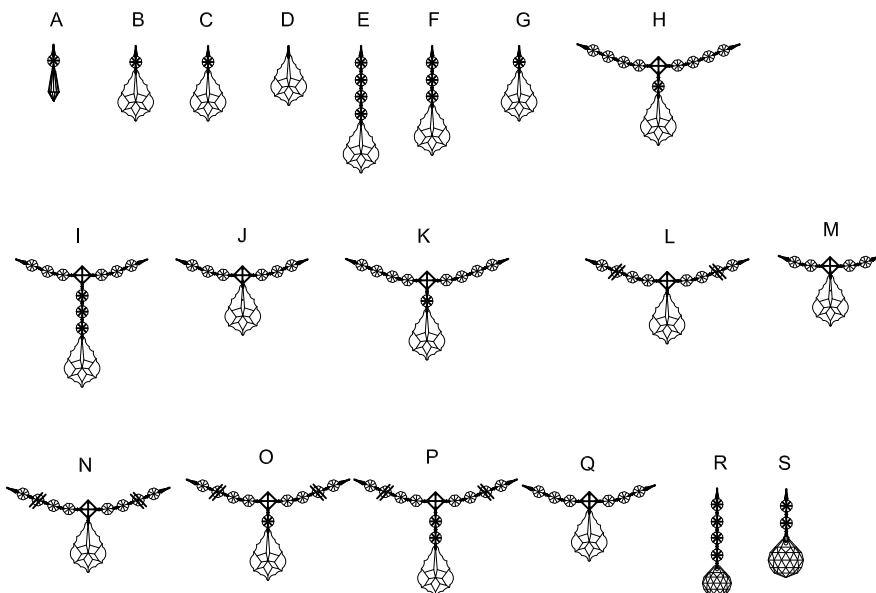
USE LED BULBS FOR EXTENDED USE



How to Install

1. Do a complete inventory of all parts and components before you start installing.
2. Attach each of the arms to the metal plates, using enclosed screws.
3. Use the wire connector to connect the main wire, lead wire and socket wires.
4. Using the bottom thread, apply the metal dish, nut, glass dish and small metal dish in that order. Secure all by tightening with the finial.
5. Screw the column kit on the coupling.
6. After safely attaching fixture into outlet box, install bobeches, bulbs (not included) and proceed to connecting the power.
7. When you begin to dress the fixture, start with packet labeled (A).
8. IMPORTANT: Apply crystal sets in alphabetical order.

DETAILED ILLUSTRATION



Crystal Sets

- A. 264Sets. (1)14mm + Drop-1.5"
- B. 80Sets. (1)14mm + AS20-3.5"
- C. 16Sets. (1)14mm + AS20-3"
- D. 8Sets. AS20-3.5"(No Jewel)
- E. 8Sets. (4)14mm + AS20-2.5"
- F. 8Sets. (3)14mm + AS20-2.5"
- G. 8Sets. (1)14mm + AS20-2.5"
- H. 8Sets. (9)14mm + (1)16mm Square + AS20-3"
- I. 8Sets. (9)14mm + (1)16mm Square + AS20-3"
- J. 16Sets (6)14mm + (1)16mm Square + AS20-2.5"
- K. 8Sets. (9)14mm + (1)16mm Square + AS20-4"
- L. 8Sets. (12)14mm + (1)16mm Square + AS20-3.5"
- M. 8Sets. (4)14mm + (1)16mm Square + AS20-3.5"
- N. 24Sets. (10)14mm + (1)16mm Square + AS20-3.5"
- O. 8Sets. (11)14mm + (1)16mm Square + AS20-3.5"
- P. 8Sets. (12)14mm + (1)16mm Square + AS20-3.5"
- Q. 8Sets. (6)14mm + (1)16mm Square + AS20-3.5"
- R. 1Piece. (4)14mm + AS8-40mm Ball
- S. 1Piece. (2)14mm + AS8-60mm Ball

WARNING: This product can expose you to Lead, which is known to the State of California to cause cancer and/or birth defects or reproductive harm. For more information go to www.P65Warnings.ca.gov

CRYSTORAMA

LIGHTING THE WAY FOR SIXTY YEARS

PART NUMBER MODEL #4424-GD-CL-MWP

Part Number

Part Numbers

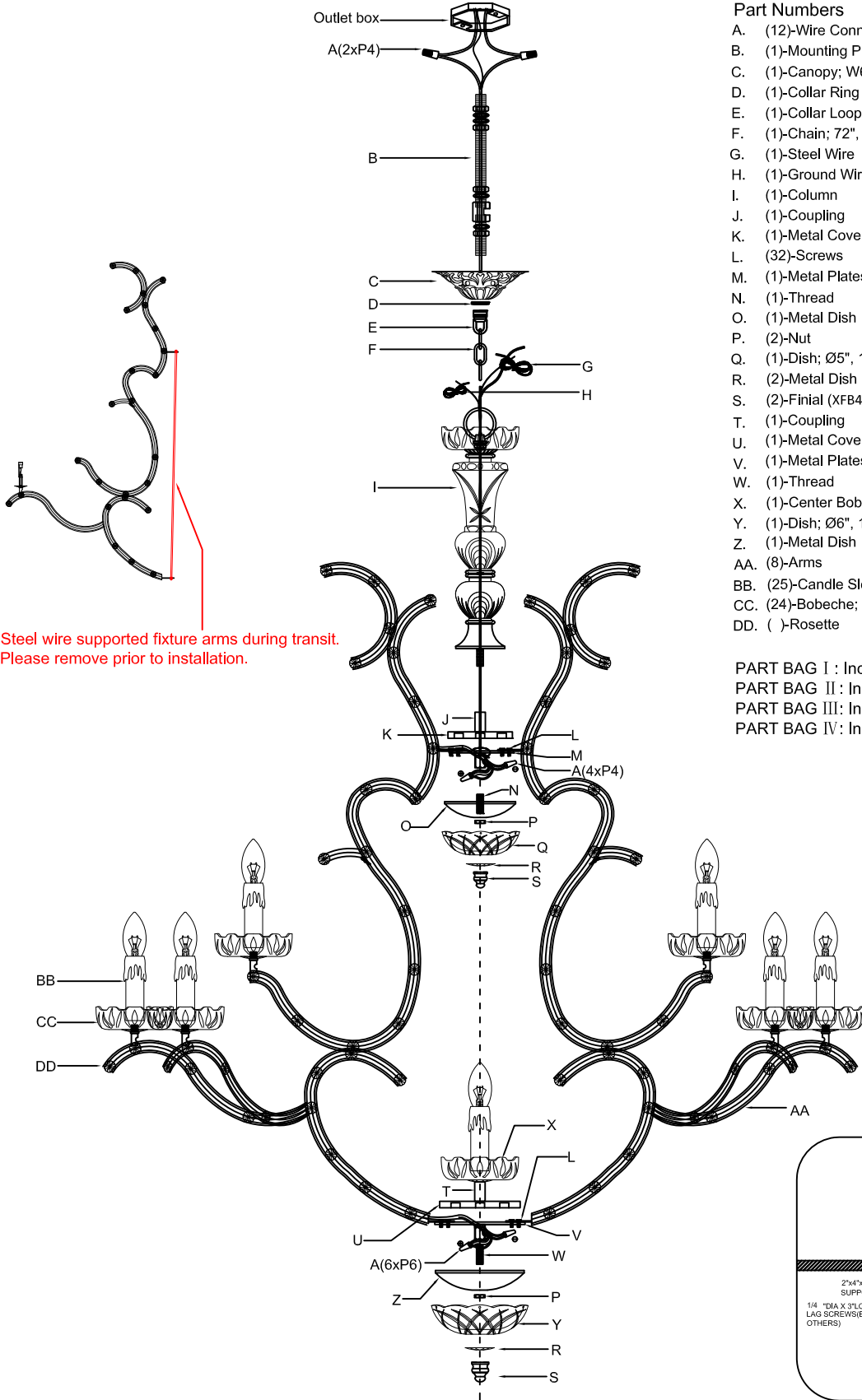
- A. (12)-Wire Connector
- B. (1)-Mounting Plate
- C. (1)-Canopy; W6"x1.6" (XFB4418GDCAN6IN)
- D. (1)-Collar Ring
- E. (1)-Collar Loop
- F. (1)-Chain; 72", 6mm (XFB4424GDCHA6MM)
- G. (1)-Steel Wire
- H. (1)-Ground Wire
- I. (1)-Column
- J. (1)-Coupling
- K. (1)-Metal Cover
- L. (32)-Screws
- M. (1)-Metal Plates
- N. (1)-Thread
- O. (1)-Metal Dish
- P. (2)-Nut
- Q. (1)-Dish; Ø5", 11mm hole (XFB4424DIBOB5IN)
- R. (2)-Metal Dish
- S. (2)-Finial (XFB4418CHFIN)
- T. (1)-Coupling
- U. (1)-Metal Cover
- V. (1)-Metal Plates
- W. (1)-Thread
- X. (1)-Center Bobeche; Ø5", 26mm hole (XFB4418BOB5IN)
- Y. (1)-Dish; Ø6", 11mm hole, 8pin (XFB4424GDDIBOB6IN)
- Z. (1)-Metal Dish
- AA. (8)-Arms
- BB. (25)-Candle Sleeve; h4" (XFB4418CDL4IN)
- CC. (24)-Bobeche; Ø5", 26mm hole, 10pin (XFB4424GDBOB5IN)
- DD. ()-Rosette

PART BAG I : Includes Parts A

PART BAG II : Includes Parts B, D, E

PART BAG III: Includes Parts J, K, L, M, N, O, P, R, S

PART BAG IV: Includes Parts T, U, L, V, W, Z, P, R, S



Steel wire supported fixture arms during transit.
Please remove prior to installation.

