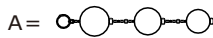
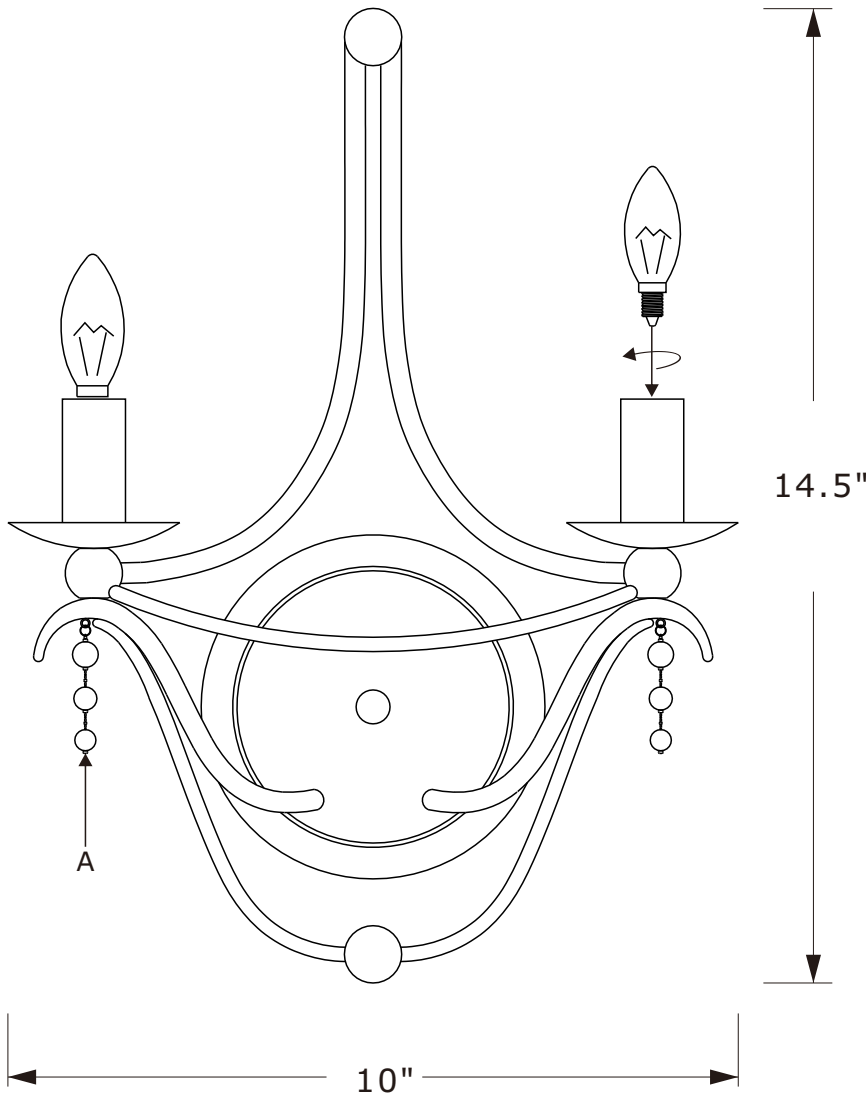


# CRYSTORAMA LIGHTING



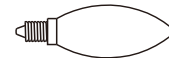
ASSEMBLY INSTRUCTION MODEL #432-SA



**WARNING:**

Electrical Danger Turn Power Off

All electrical components must be installed by a licensed electrician in accordance with the National Electric Code and the appropriate local electrical codes.



You will need 2 -Candelabra Base Bulb  
40 Watts Recommended 60 Watts Max.

USE LED BULBS FOR EXTENDED USE  
THIS FIXTURE IS DAMP RATED

## How to Install

1. Do a complete inventory of all parts and components before you start installation.
2. Install the backplate into the outlet box, and secure it with the ball nut.
3. Place the candle sleeve onto the socket, and insert recommended bulb (not included).
4. Hang crystal "A" on the bottom of bobèche.

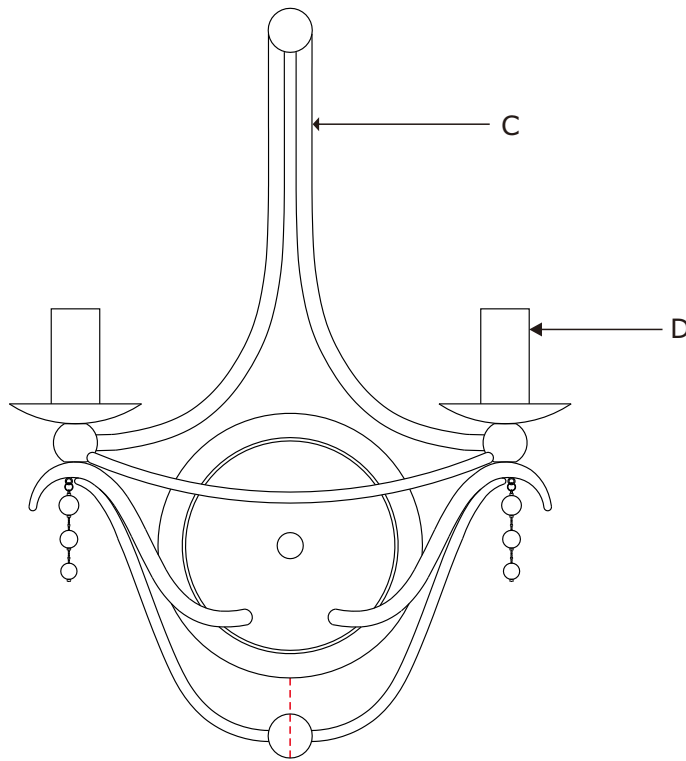
## Crystal Sets

A. 2 Pieces.  
D18mm x1pcs +D16mm x1pcs+D14mm x1pcs

**WARNING:** This product can expose you to Lead, which is known to the State of California to cause cancer and/or birth defects or reproductive harm. For more information go to [www.P65Warnings.ca.gov](http://www.P65Warnings.ca.gov).

PART NUMBER MODEL #432-SA

## Part Number



- A. (1) - Mounting Hardware
- B. (1) - Ball Nut #XRE422SABANUT
- C. (1) - Metal Frame
- D. (2) - Candle Sleeve(W0.87",H1.97") #XRE422SACDL2IN

