

# CRYST RAMA



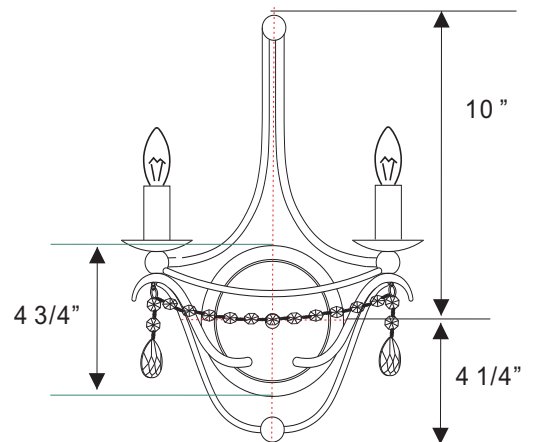
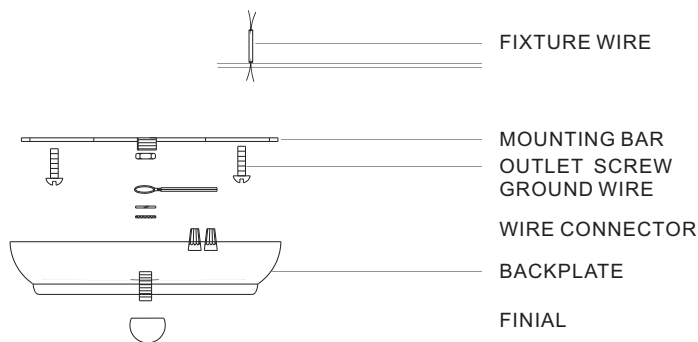
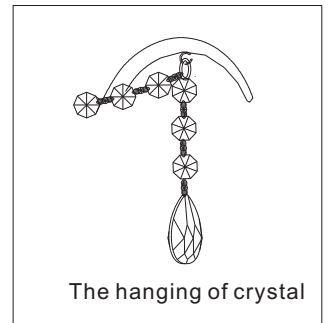
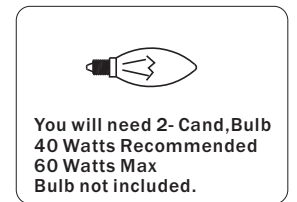
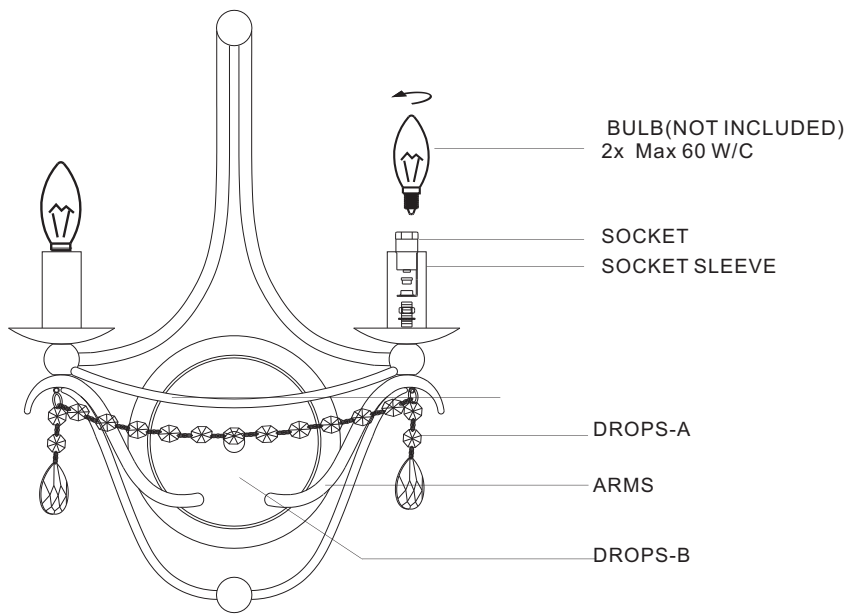
1958

95 Cantiague Rock Road, Westbury NY 11590  
 ph:516.931.9090 fax:516.931.1254  
 info@crystorama.com • www.crystorama.com

## MODEL#:412-GA-CL-MWP ASSEMBLY AND DRESSING INSTRUCTIONS



All electrical components must be installed by a licensed electrician in accordance with the National Electric Code and the appropriate local electrical codes.



DROPS-A=		(14mm octagonal crystal x2pcs + 1 1/2" crystal x1pc)	X 2 Sets
DROPS-B=		(14mm octagonal crystal x11pcs)	X 2 Sets

2012/10